

Thanks for purchasing this genuine TSO Product. Should you have any product questions or issues, please contact us toll-free at 800-727-0311 (U.S.), 239-236-5526 (international), or email us at info@tsoproducts.com.

Using Power-Loc Dogs

Power-Loc Dogs utilize a **patent-pending** offset cam and locking lug feature to connect two separate layers of sheet good, enabling you to quickly expand an existing 20mm hole pattern work surface (e.g. Paulk Smart Workbench, Festool® MFT/3).

Clamping Capacity

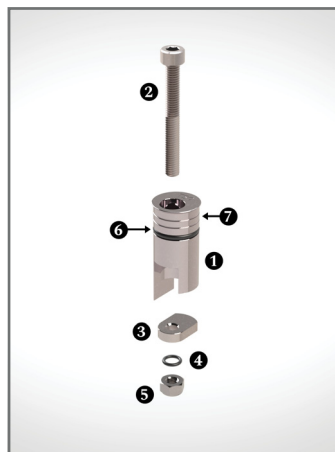
- Two 18mm thick panels, or
- One 18mm thick panel and one 12mm thick panel

Power-Loc Advantages

- Connection is made entirely from above
- Similar in function to our Smart Connect Dogs, but eliminates the need for a separate clamping knob

Components

1. Body
2. Socket head cap screw
3. Locking lug
4. Jam preventing O-ring
5. Hex lock nut
6. Body O-ring
7. DoubleGroove feature



Operation

Requires a metric 5mm hex wrench or available 5mm hex driver.

1. Retract the locking tab by holding the Power-Loc dog in vertical orientation
2. Using a 5mm hex tool, turn the socket head cap screw (screw) counter-clockwise to retract
3. Align the panel to be connected over the 20mm hole pattern of the work surface
4. Insert Power-Loc connectors through the aligned hole pattern of 20mm holes
5. Secure by using a 5mm hex tool to turn the screw clockwise by twirling the hex tool shaft between your fingers until the locking lug touches the underside of joined panels

Do **NOT** tighten the screw beyond “snug” to avoid damaging the tool.

Removal

Requires a metric 5mm hex wrench or available 5mm hex driver.

1. Turn screw counter-clockwise to retract locking lug
2. Ease connected panels apart so Power-Loc connectors can be removed by hand

See Power-Loc in Action!

Watch Hans showcase our family of bench connecting dogs on our website: www.tsoproducts.com.



Got an idea to improve this user guide? Your feedback is always welcome. Please send us a message at www.tsoproducts.com/contact-us/

We are continually striving to improve our products based on customer input. While we make every attempt to keep our product pages up-to-date, know that the product you receive may reflect recent improvements and therefore differ slightly from the product depicted. We reserve the right to change specification of products without notice.