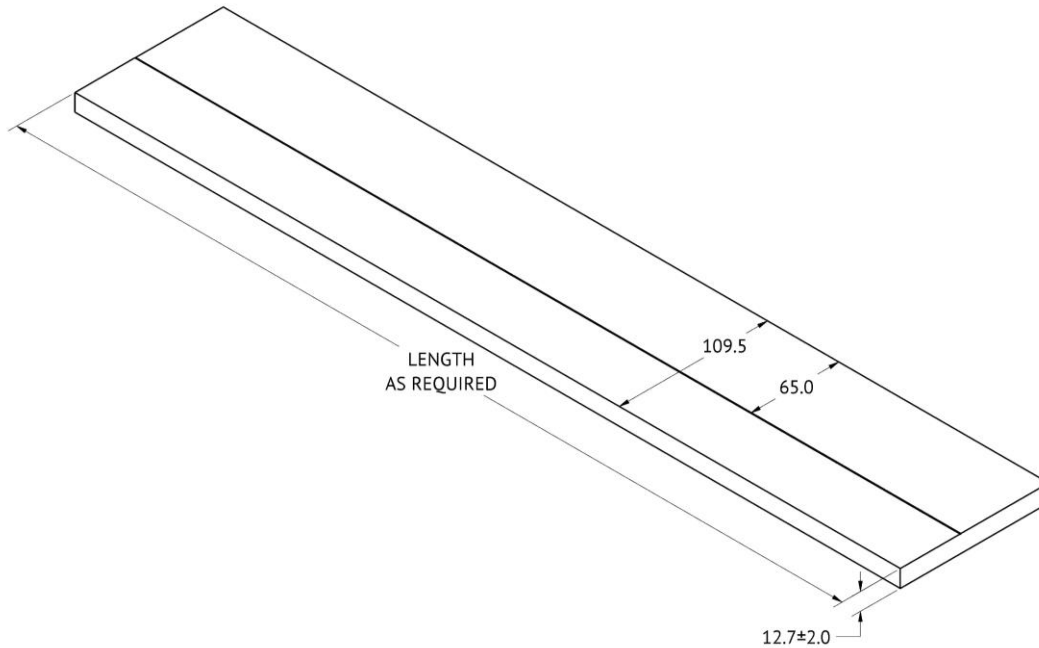


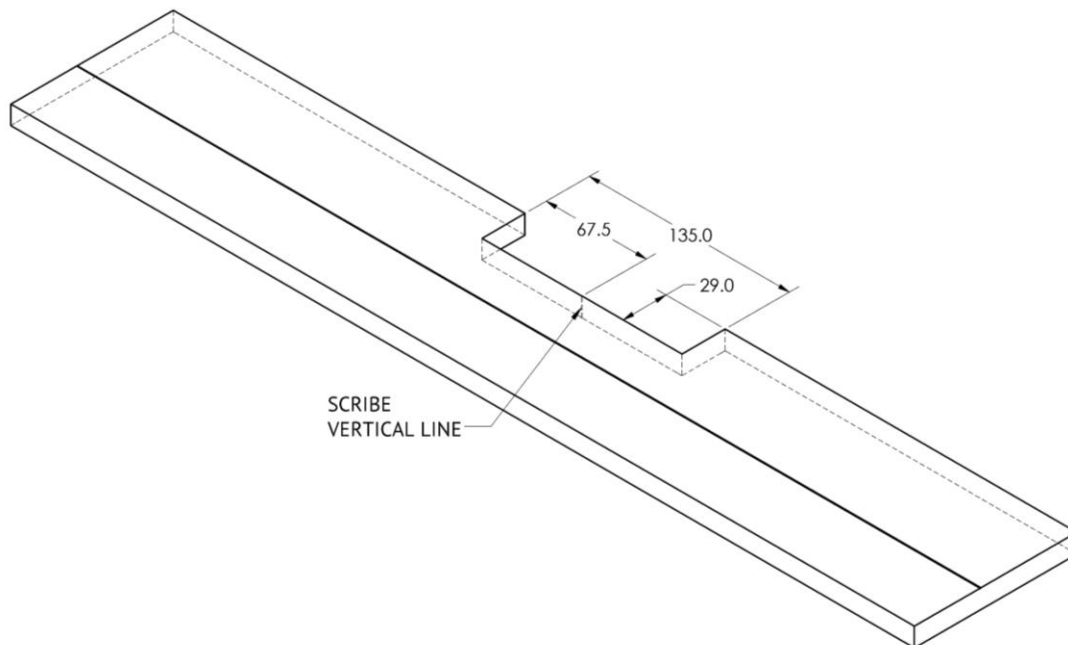


How to Make a DBF-45 v 2.0 Auxiliary Fence Domino DF 700

1. Based on the application, determine the required length for the fence.
2. Select a piece of wood or plywood 12.7 ± 2.0 mm thick and rip to 109.5 mm wide
3. Carefully draw a parallel line exactly 65 mm from one edge
A marking gage works well for this

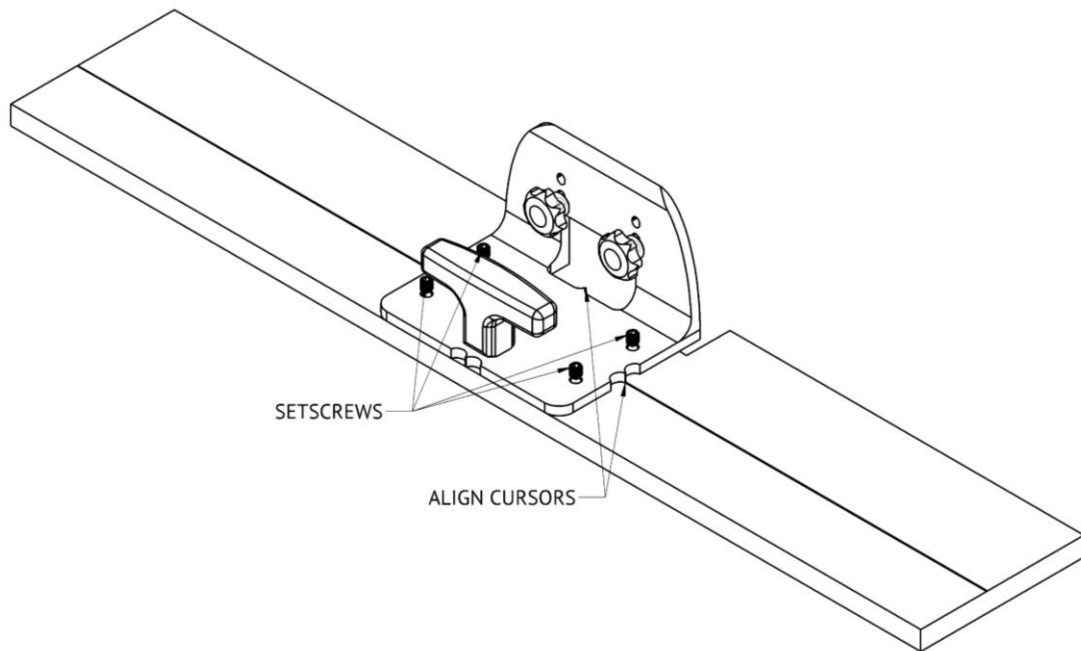


4. Layout the pocket 135 mm long x 29 mm wide
5. Cut out the pocket as laid out
6. Scribe a vertical line inside the pocket as shown for locating the DBF-45 v 2.0

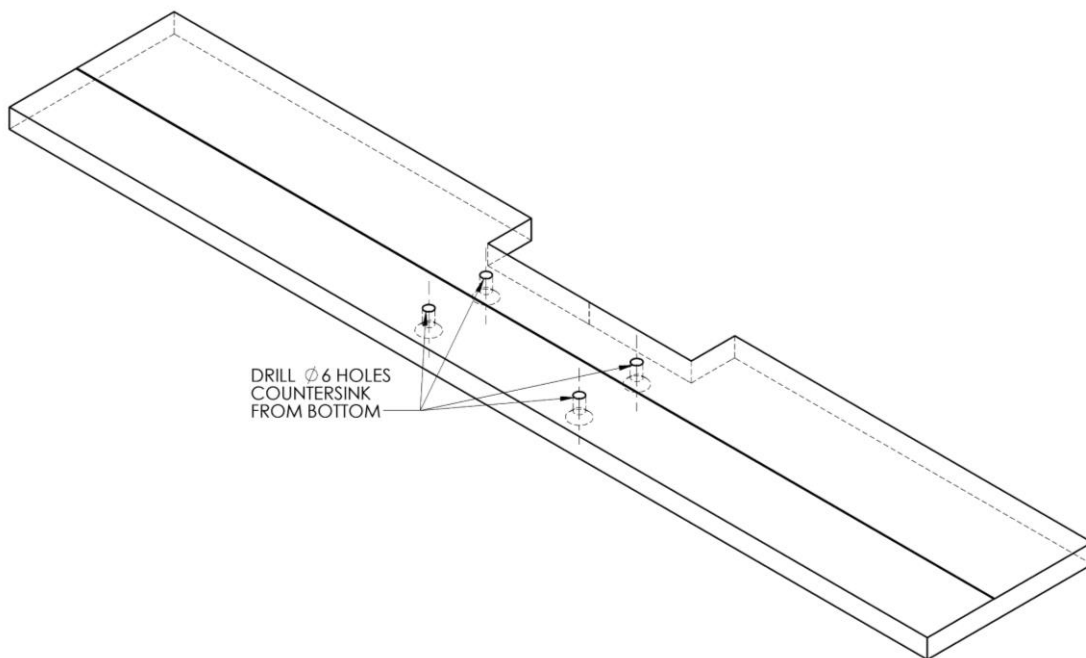


How to Make a DBF-45 v 2.0 Auxiliary Fence Domino DF 700

7. Clamp the DBF-45 v 2.0 to the fence with the (2) cursors on the sides aligned with line drawn in step 3 and the cursor in the face aligned with the line scribed in step 6 to center it in the pocket.
8. Using the M6 pointed setscrews provided, mark the mounting holes in the fence board by firmly screwing the pointed setscrews in the (4) holes in the DBF-45 v 2.0 base.



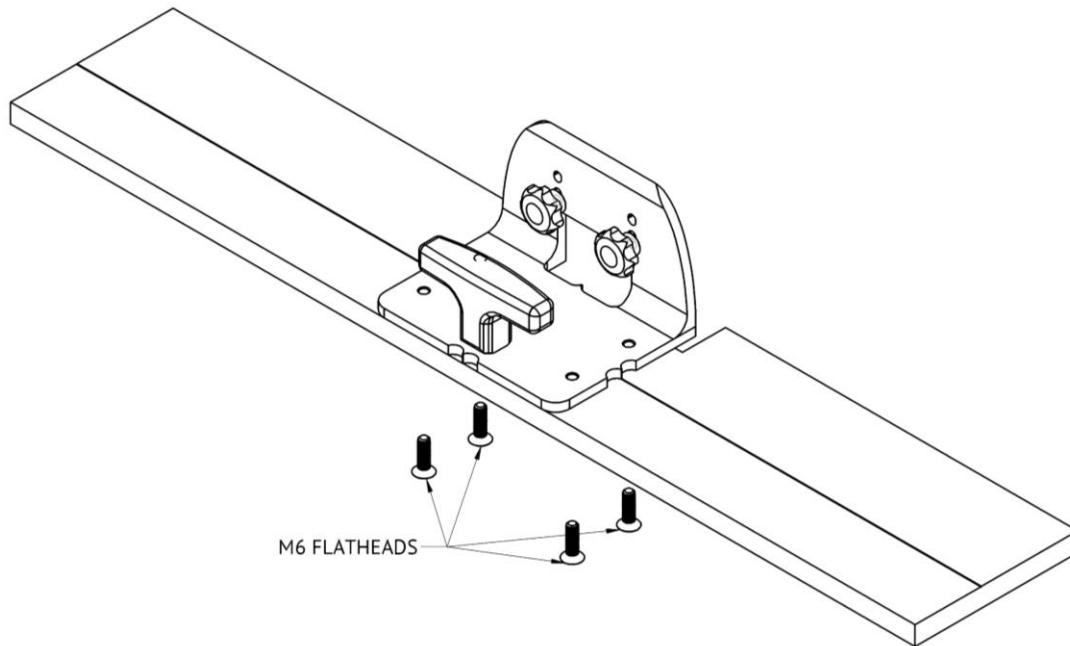
9. Remove the DBF-45 v 2.0 from the board.
10. Drill \varnothing 6 mm holes through and countersink the (4) holes from the bottom for the M6 flathead screws.





How to Make a DBF-45 v 2.0 Auxiliary Fence Domino DF 700

11. Attach the DBF-45 v 2.0 using the M6 flathead screws from beneath.



12. The auxiliary fence and DBF-45 v 2.0 assembly is now ready to use. When properly constructed, the edge of the fence and scribed vertical line align with the center of the Domino mortise.